

## ***DAYTON INDUSTRIAL CORPORATION***

### **SCHEMATICS MODEL AF210**

FM, FM/SCA, FM/RDS Monitor/Receiver

Model AF210

Transistors used

Loc.	Part Description
Q1	2N7002LT1, SOT-23
Q2	MMBR911LT1, SOT-23
Q3	MMBT3906
Q4	MMBT4401LT1, SOT-23

*For Questions or Assistance, contact:*

**Dayton Industrial Corporation**

**Attn: Engineering Dept.**

**2237 Industrial Blvd.**

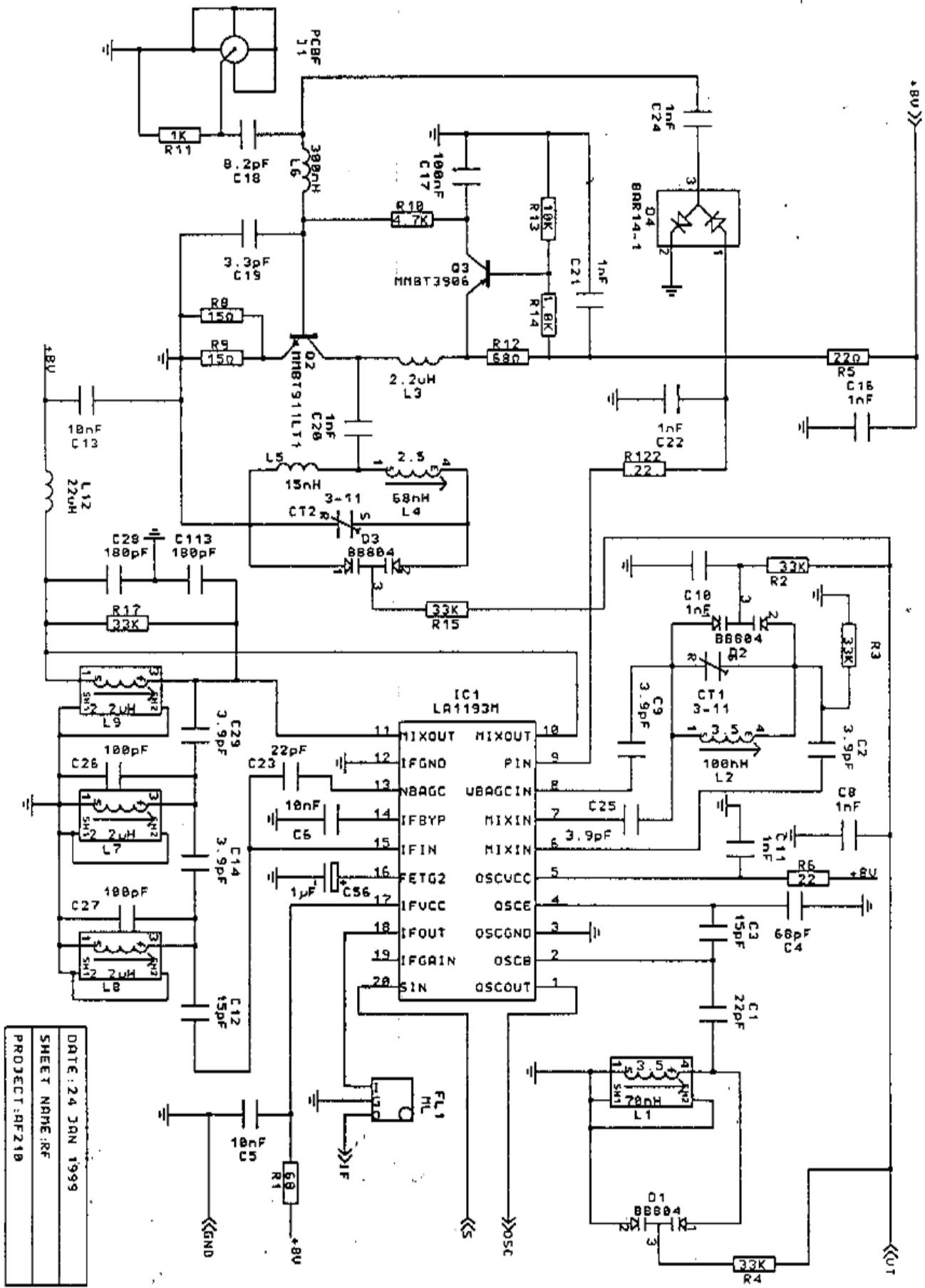
**Sarasota, Florida 34234-3119 U.S.A.**

**Telephone: (941) 351-4454** *(mornings are best)*

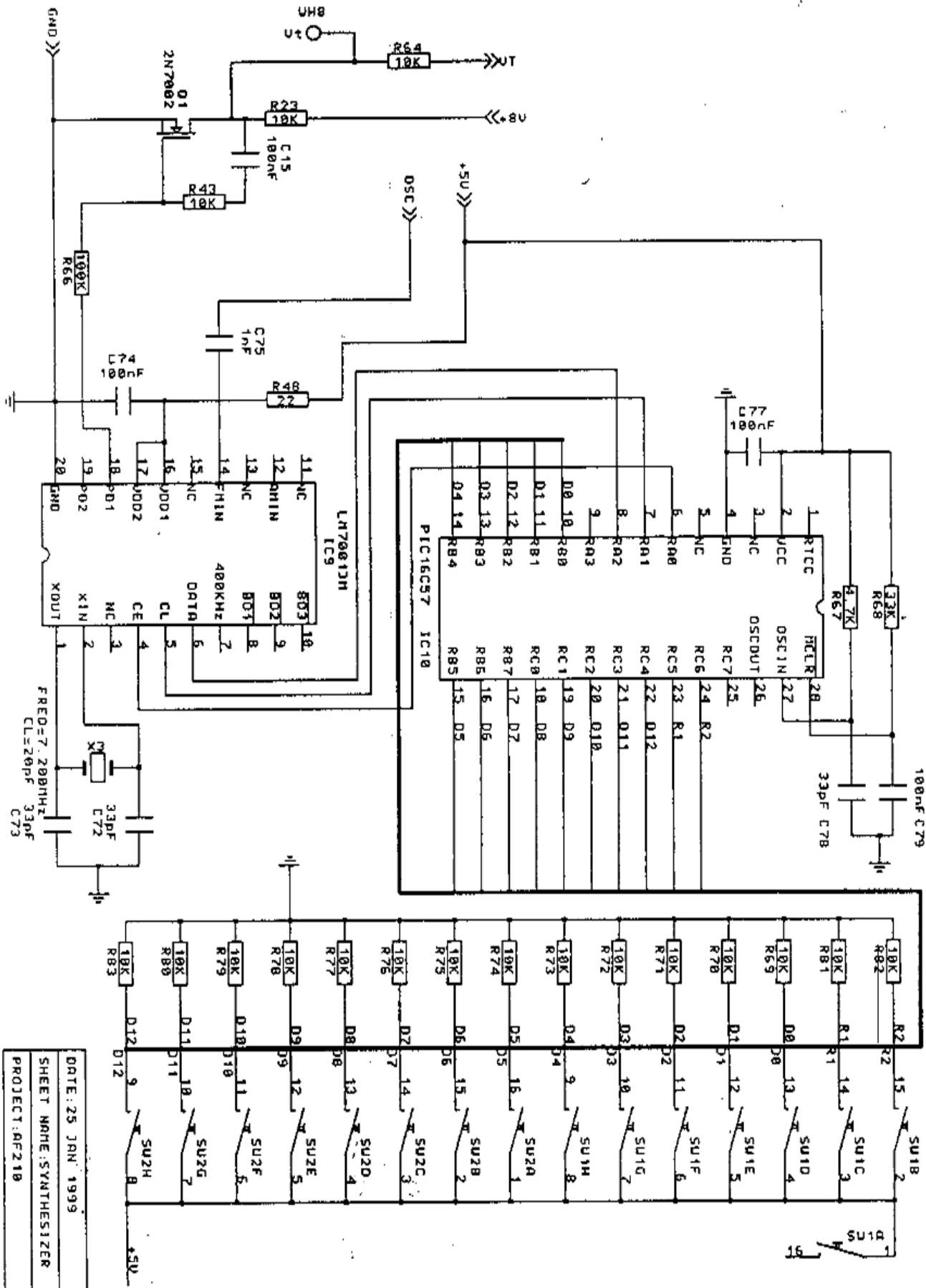
**Fax: (941) 351-6081**

**e-mail: [engineering@daytonindustrial.com](mailto:engineering@daytonindustrial.com)**

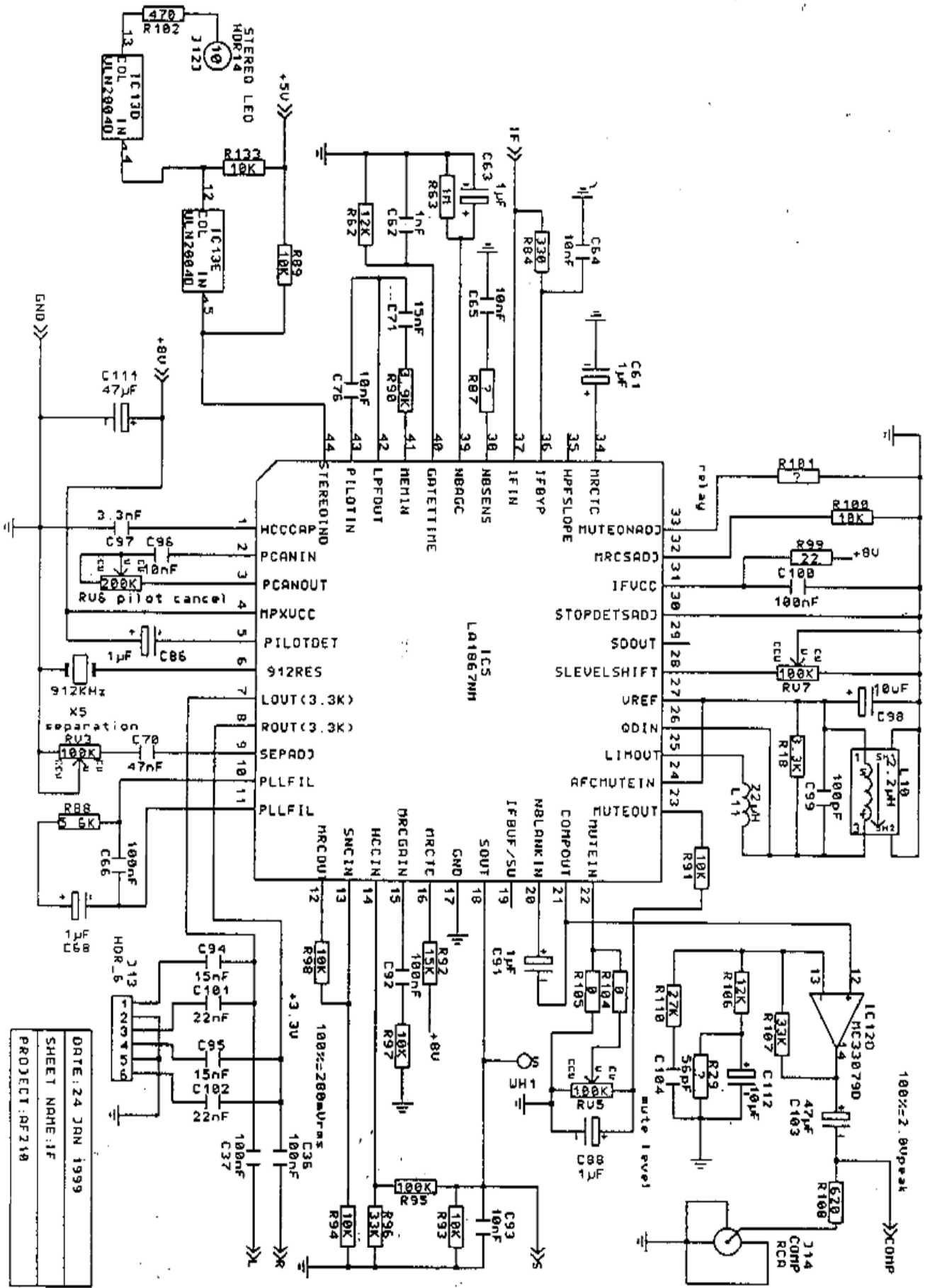
**web: [www.daytonindustrial.com](http://www.daytonindustrial.com)**



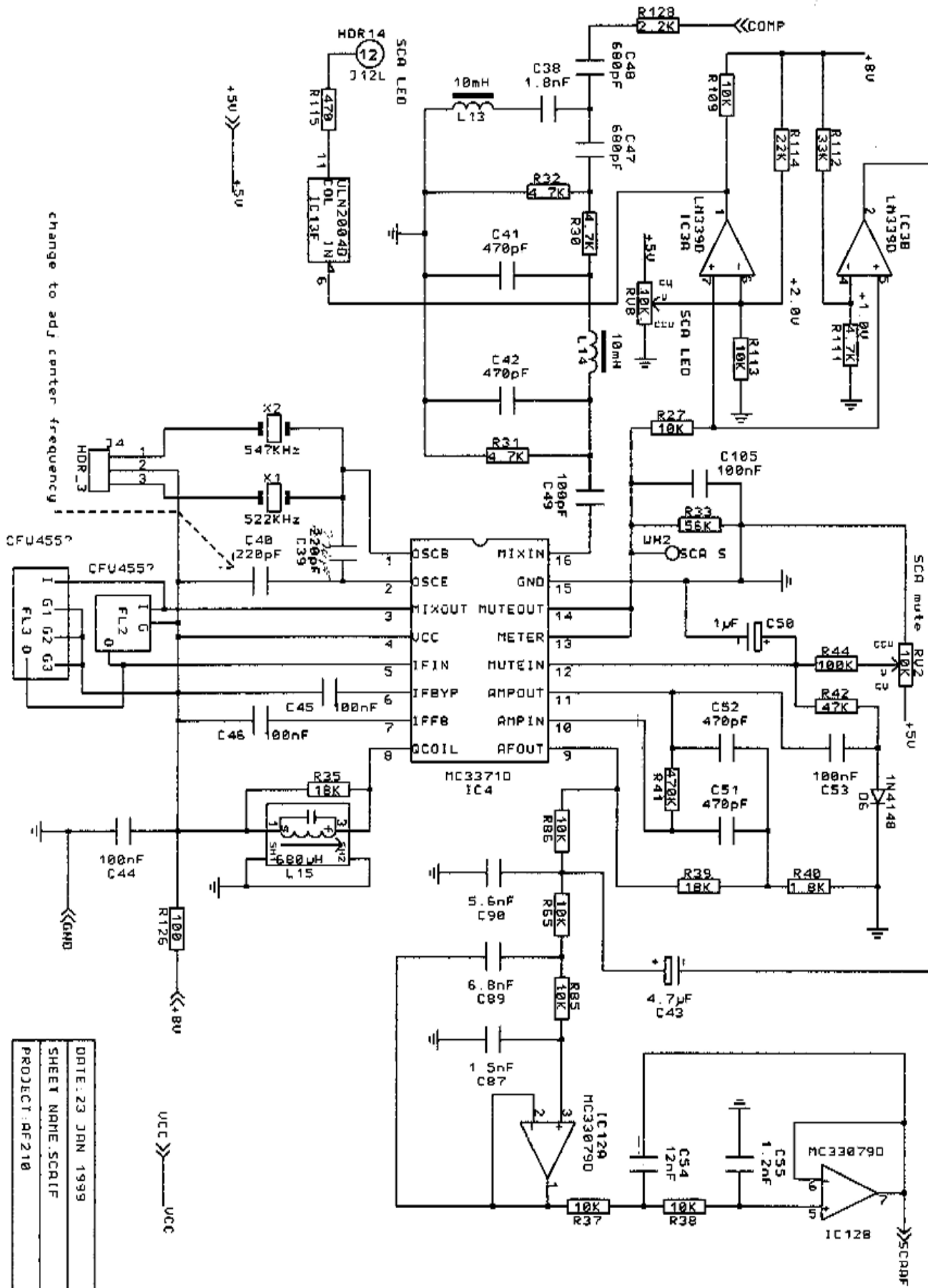
DATE: 24 JUN 1999  
 SHEET NAME: RF  
 PROJECT: SRF210

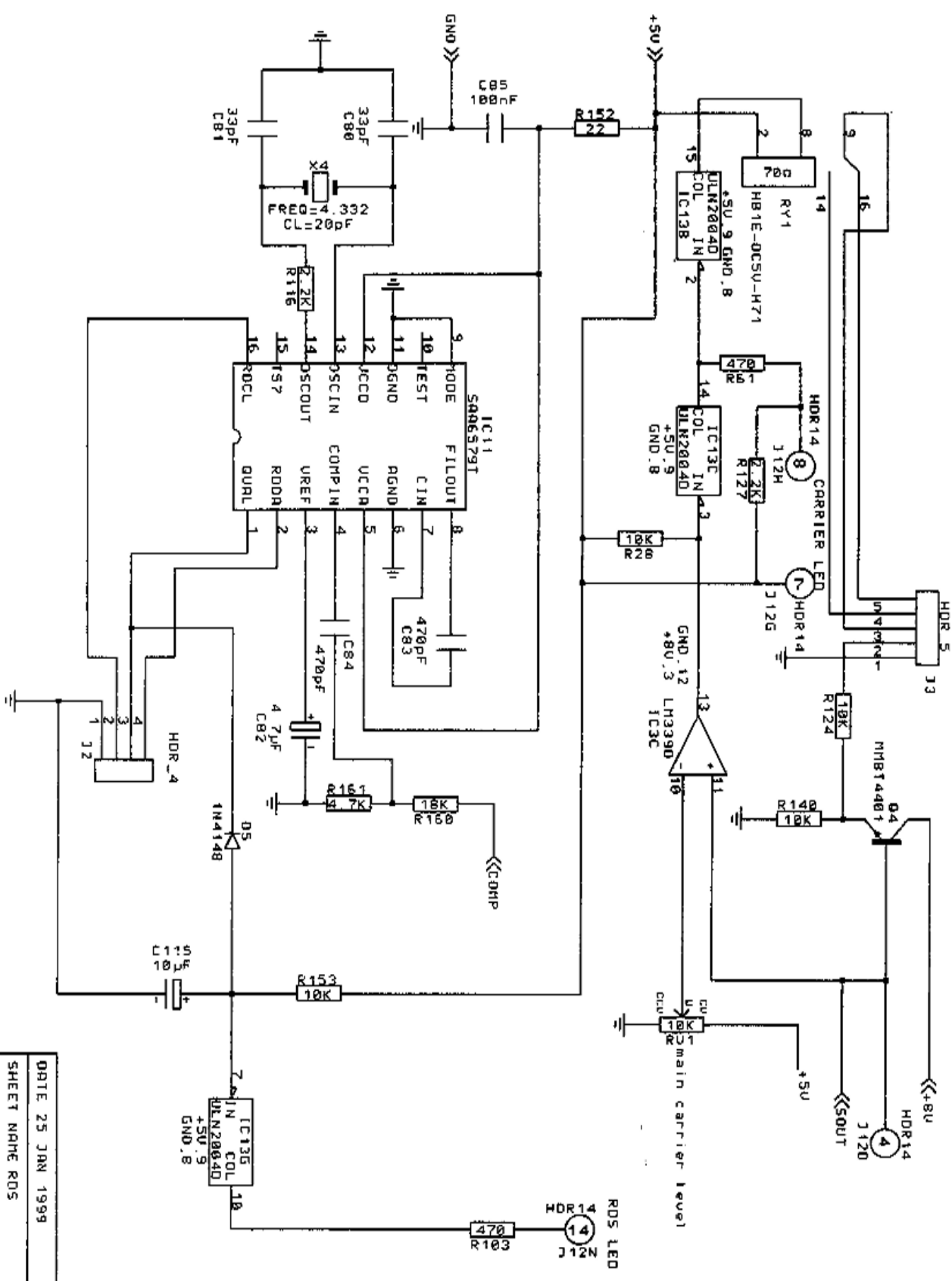


DATE: 25 JAN 1999  
 SHEET NAME: SYNTHESIZER  
 PROJECT: AF21B

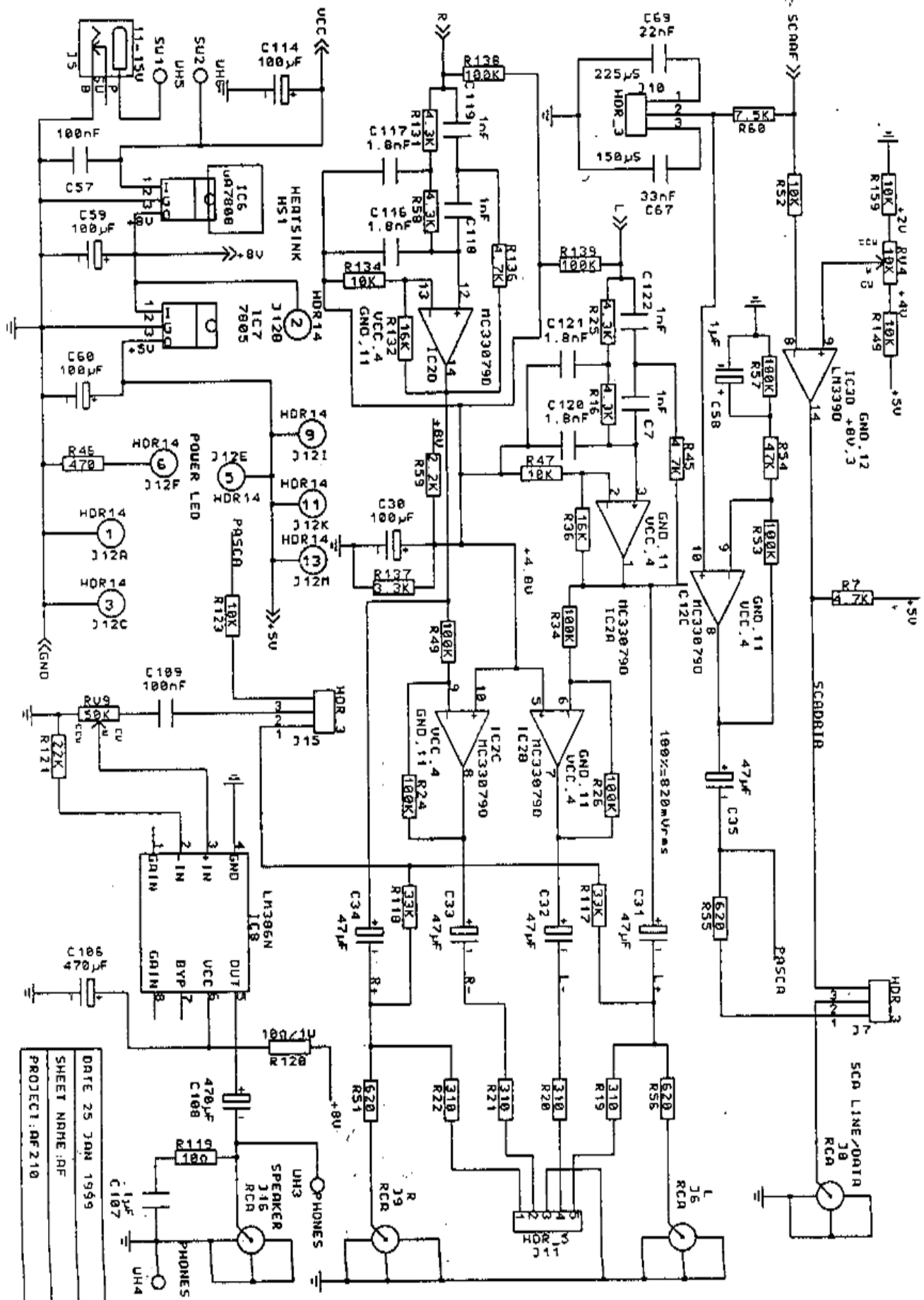


DATE: 24 JAN 1999  
 SHEET NAME: 1F  
 PROJECT: RF218





DATE 25 JAN 1999  
 SHEET NAME RDS  
 PROJECT: RF210



DATE 25 JAN 1999  
 SHEET NAME: AF  
 PROJECT: AF210